

Low Profile SM Resistance Weld Crystal

The HC49LD series is a miniature AT or BT cut strip resonator crystal housed in low profile for surface mounting. The parts present a proven metal package technology with a precision molded base and universal contact configuration. The series comply with Directive 2002/95/EC (RoHS Compliant).

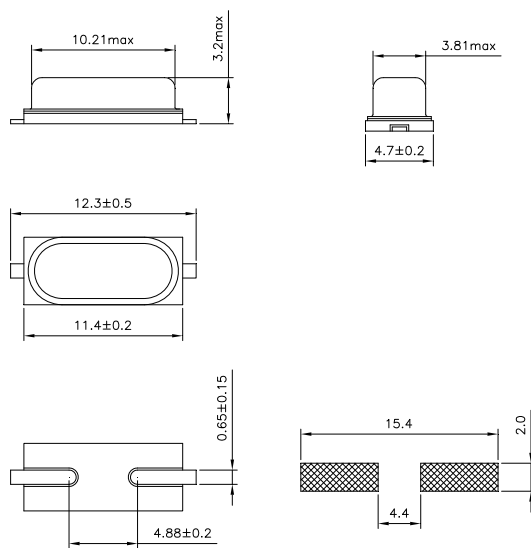
HC49LD

RoHS Compliant

Specifications:

Frequency Range:	3.2 MHz ~ 40 MHz Fundamental	
	24 MHz ~ 70 MHz Overtone	
Operating Temperature:	0°C ~ +50°C	-A
	-10°C ~ +60°C	-B
	-20°C ~ +70°C	-C
	-40°C ~ +85°C	-L
Storage Temperature:	-55°C ~ +125°C	
Frequency Tolerance:	± 50 ppm	-50
(at 25°C)	± 30 ppm	-30
	± 20 ppm	-20
	± 10 ppm	-10
Frequency Stability:	± 50 ppm	-50
(over temperature range)	± 30 ppm	-30
	± 20 ppm	-20
	± 10 ppm	-10
Circuit Condition:	10 pF ~ 32 pF or series	
Equivalent Series Resistance:	Maximum resistance corresponds to frequency. Please see ESR table.	
Drive Level:	1.0 mW max	
Shunt Capacitance:	7 pF max	
Aging:	± 5 ppm max per year	
Optional Features:	Fundamental	-F
	3 rd , 5 th , 7 th O.T.	-3, 5, 7
	Tape & Reel	-TR

HC49LD



All dimensions are in mm

Ordering Information

Product name + CL + Operating Temperature Range + Tolerance + Stability + Other Code + Frequency.

i.e. HC49LD-20-C-30-30-F-24.000MHz

Note:

1. Other frequencies, tolerances, stabilities, and operating temperature ranges available. Consult VTC Support for specific requirements.
2. Not all combinations of the above tolerances, stabilities, and temperature ranges are available. Consult VTC Support if your requirement is not standard.
3. All specifications subject to change without notice.