

# 70 MHz Bandpass SAW Filter

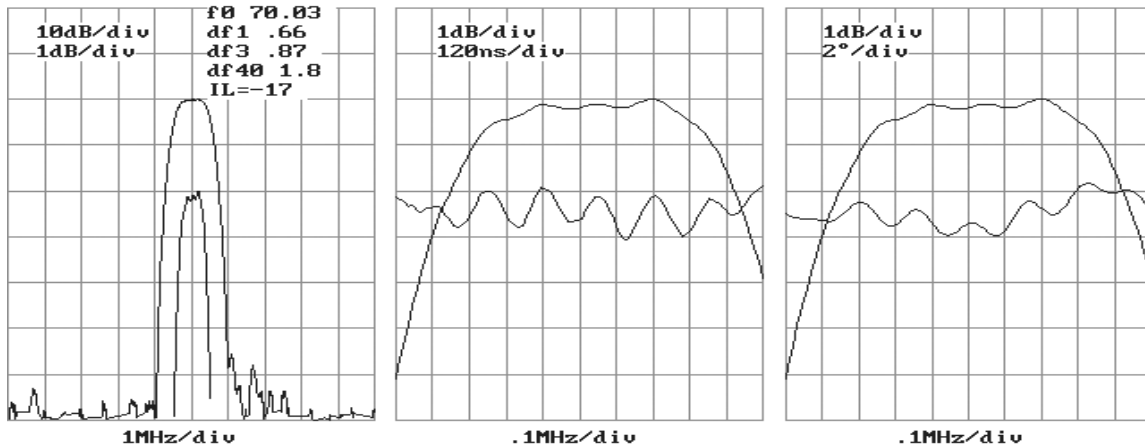
## BP60380

700 KHz Bandwidth

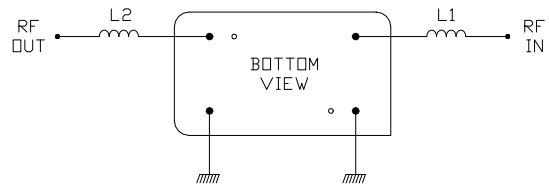
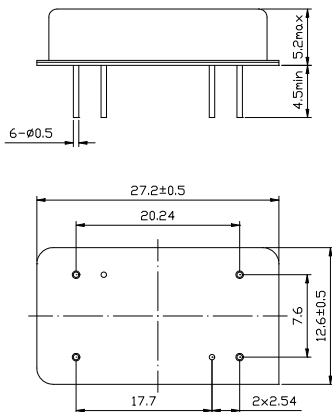
*Complies with Directive 2002/95/EC (RoHS Compliant)*

Specifications					
Parameter	Sym	Minimum	Typical	Maximum	Unit
Center Frequency at 25°C	$f_c$	69.93	70	70.07	MHz
Insertion Loss at $f_c$	$IL$	-	18.0	23.0	dB
1 dB Bandwidth	$BW_1$	0.58	0.67	-	MHz
3 dB Bandwidth	$BW_3$	0.70	0.88	-	MHz
40dB Bandwidth	$BW_{40}$	-	1.8	2.0	MHz
Passband Variation	-	-	0.2	0.4	dB
Phase Linearity	-	-	4	6	Deg
Group Delay Variation	-	-	110	200	nsec
Absolute Delay	-	-	3.0	-	$\mu$ sec
Ultimate Rejection	-	50	58	-	dB
Substrate Material	-	-	Quartz	-	-
Ambient Temperature	$T_a$	-	25	-	°C

**Typical Performance**



**Package Outline      Matching Configuration**



L1 = 270 nH      L2 = 270 nH  
 Nominal Source/Load Impedance : 50  $\Omega$

*Note: Component values may change depending on board*