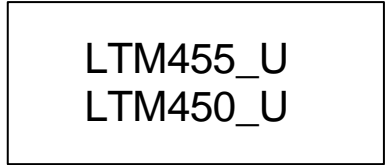


## LTM455\_U & LTM450\_U Series Ceramic Filter

LTM455\_U and LTM450\_U series ceramic filters are widely used in telecommunication, cable, radar, TV set, tape recorder, video camera and other electronic products due to its lower price and stable performances.



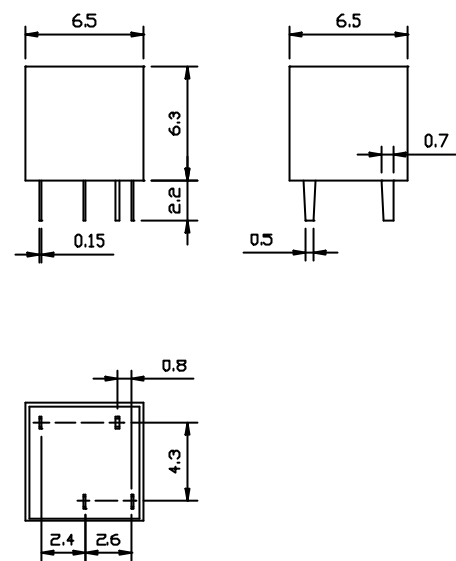
### Specifications:

<b>Frequency Range (fc):</b>		
LTM455_U Series:	455KHz	
LTM450_U Series:	450KHz	
<b>Operating Temperature:</b>	-20°C ~ +80°C	Standard
<b>Storage Temperature:</b>	-40°C ~ +85°C	
<b>6dB Bandwidth and Attenuation Bandwidth:</b>		
B:	± 15KHz	± 30KHz
C:	± 12.5KHz	± 24KHz
D:	± 10KHz	± 20KHz
E:	± 7.5KHz	± 15KHz
F:	± 6KHz	± 12.5KHz
G:	± 4.5KHz	± 10 KHz
H:	± 3KHz	± 9KHz
I:	± 2KHz	± 7.5KHz
<b>Attenuation Specified:</b>	40dB min	
<b>Stop Band Attenuation:</b>	27dB min (B,C,D,E,F)	
at fc ± 100KHz	25dB min (G,H,I)	
<b>Insertion Loss:</b>	4.0dB max (B,C,D)	
	6.0dB max (E,F,G,H,I)	
<b>Input/Output Impedance:</b>	1.5KΩ (B,C,D,E)	
	2.0KΩ (F,G,H,I)	

Note:

1. Other frequencies, bandwidth ranges available. Consult VTC Support for specific requirements.
2. Not all combinations of the above bandwidth ranges are available. Consult VTC Support if your requirement is not standard.
3. All specifications subject to change without notice.

### LTM\_U Series



All dimensions are in mm

### Ordering Information

Product name + Frequency + Bandwidth Code.  
i.e. LTM455BU