

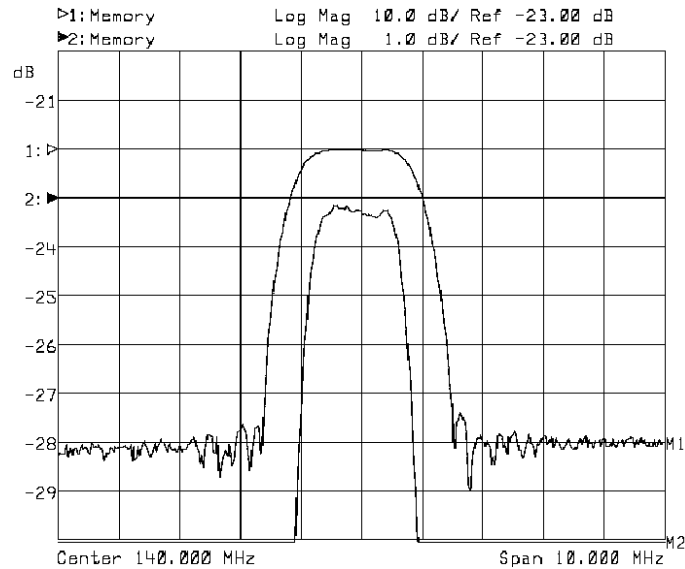
140 MHz Bandpass SAW Filter

1.6 MHz Bandwidth

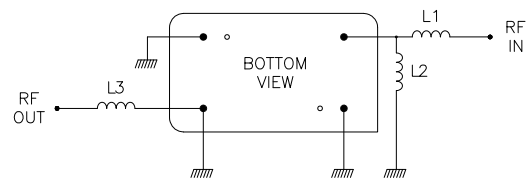
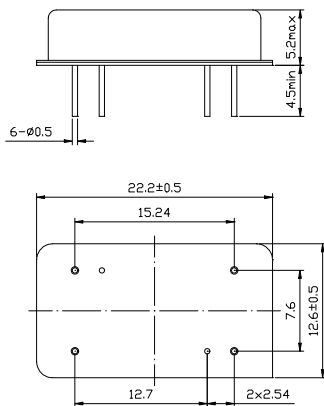
BP62330

ELECTRICAL CHARACTERISTICS					
Parameter	Sym	Minimum	Typical	Maximum	Unit
Center Frequency at 25°C	f_c	139.95	140	140.05	MHz
Insertion Loss at f_c	IL	-	20.0	25.0	dB
1 dB Bandwidth	BW_1	1.40	-	-	MHz
3 dB Bandwidth	BW_3	1.60	1.61	-	MHz
40dB Bandwidth	BW_{40}	-	2.68	2.70	MHz
Passband Variation	$\Delta\alpha$	-	0.3	1.0	dB
Absolute Delay	τ	-	2.3	2.5	μ sec
Ultimate Rejection	α_{rej}	50	55	-	dB
Substrate Material	-	-	Quartz	-	-
Ambient Temperature	T_a	-	25	-	°C

TYPICAL PERFORMANCE



PACKAGE OUTLINE MATCHING CONFIGURATION



L1 : 18 nH, L2 : 33 nH

L3 : -- nH

Nominal Source/Load Impedance: 50 Ω

Note: Component values may change depending on board layout.