

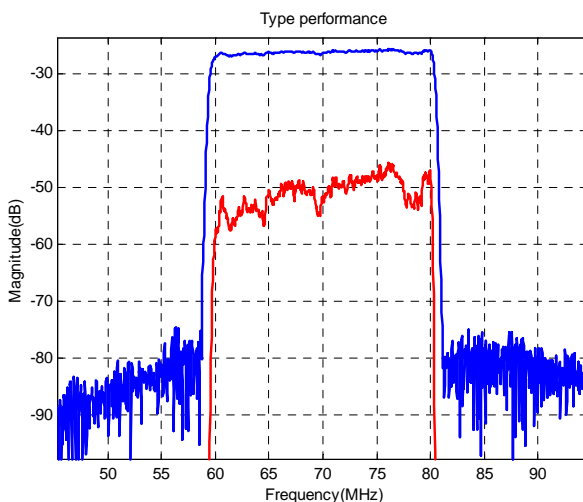
# 70 MHz Bandpass SAW Filter

20.4 MHz Bandwidth

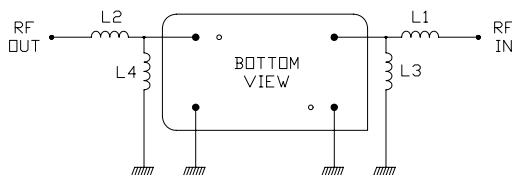
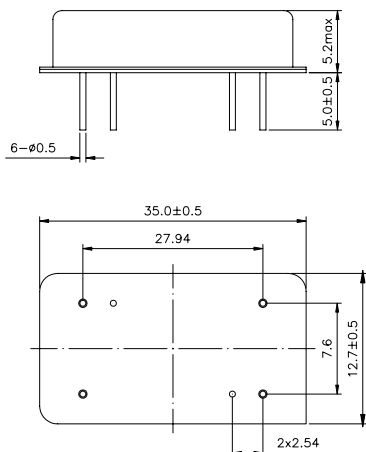
## BP60440

Specifications					
Parameter	Sym	Minimum	Typical	Maximum	Unit
Center Frequency at 25°C	fc	69.9	70	70.1	MHz
Insertion Loss at fc	IL	-	24.9	25.5	dB
3 dB Bandwidth	BW <sub>3</sub>	20.4	20.69	-	MHz
45dB Bandwidth	BW <sub>45</sub>	-	22.15	22.2	MHz
Passband Variation	-	-	1.2	1.5	dB
Phase Linearity	-	-	1.4	3.0	Deg
Absolute Delay	-	-	3.2	4.0	μsec
Ultimate Rejection	-	50	55	-	dB
Substrate Material	-	-	YZ-LiNbO <sub>3</sub>	-	-
Ambient Temperature	Ta	-	25	-	°C
Operating Temperature Range	To	-55	25	85	°C

### Typical Performance



Package Outline
Matching Configuration



L1 : 112 nH, L2 : 132 nH  
 L3 : 270 nH L4 : 80 nH  
 Nominal Source/Load Impedance : 50 Ω